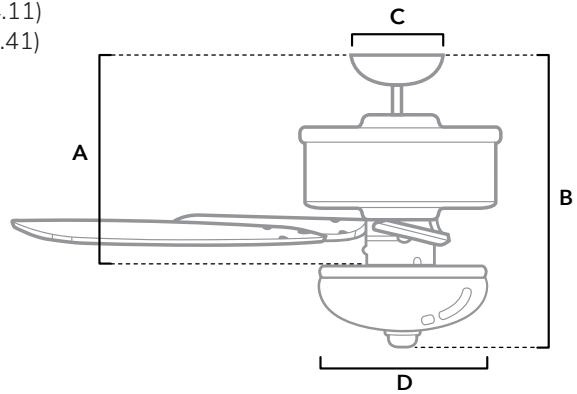




DIMENSIONS

Measured in inches

- A. 11.11 (Angled 44.11)
- B. 18.41 (Angled 51.41)
- C. 6.49
- D. 12.75



52726 | Noble Bronze Body with American Walnut or Dark Walnut Blades

ADDITIONAL FINISHES



52725 | Brushed Nickel Body with Greyed Walnut or American Walnut Blades

52727 | Fresh White Body with Fresh White or Natural Wood Blades

FAN SPECIFICATIONS

Motor Type	Reversible	Wire Length	Control Type	Downrod	Location	Blade #	Add'l Sizes
DC	YES	32" (24" Downrod)	Pull Chains	3" Included	Indoor	5	N/A

AIRFLOW AND LIGHT SPECIFICATIONS

AVG Airflow	Airflow Efficiency	CFM High	Voltage	Bulbs Included	Output Per Bulb	Watts Per Bulb	Bulb Type	Base Type	LED Light Kit	CRI	CCT (Kelvins)	Dimmable
3261	261	4756	120v/60Hz	2	800	9W	LED	E26	Yes	80	3,000	No



Save Energy. Save Money.*



EcoWhisper™ DC Motor



Indoor Rated



99696 Wire Accessory Kit



Intertek

140 YEARS OF QUALITY: Cutting-edge technology, American engineered, and ETL/UL tested for the highest safety standards — All backed by a limited lifetime motor warranty for peace of mind.

*Comparing minimum efficiency standards for ENERGY STAR certified fans to non-Energy-certified fans.



COOL COMFORT. LOWER BILLS.



LOWER YOUR ENERGY BILL WITHOUT COMPROMISING YOUR COMFORT.

Hunter's ENERGY STAR® certified ceiling fans use 64% less energy than conventional fans.* Helping you stay cool while saving on energy costs.

*Comparing minimum efficiency standards for ENERGY STAR certified fans to non-Energy-certified fans.